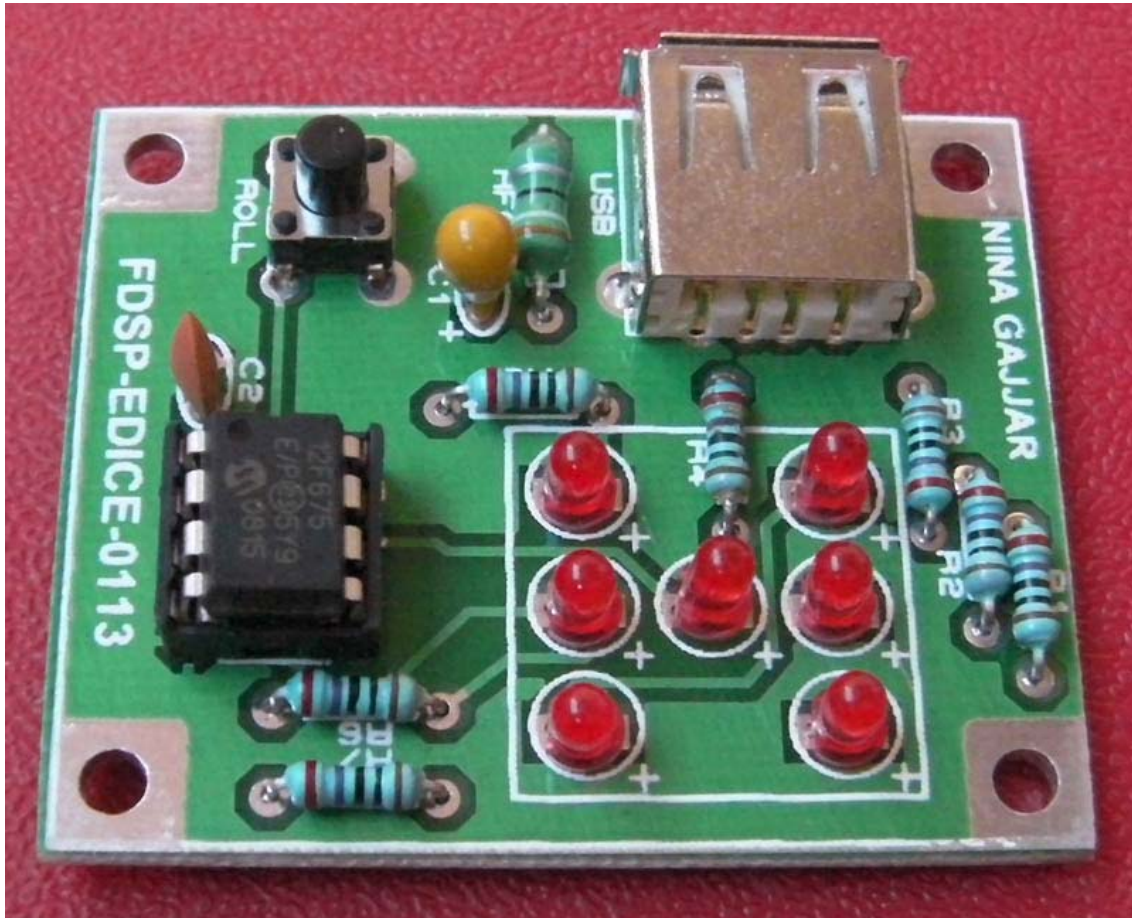


Electronic Dice: Simple Electronic Dice using PIC12F675

Completed Electronic Dice:

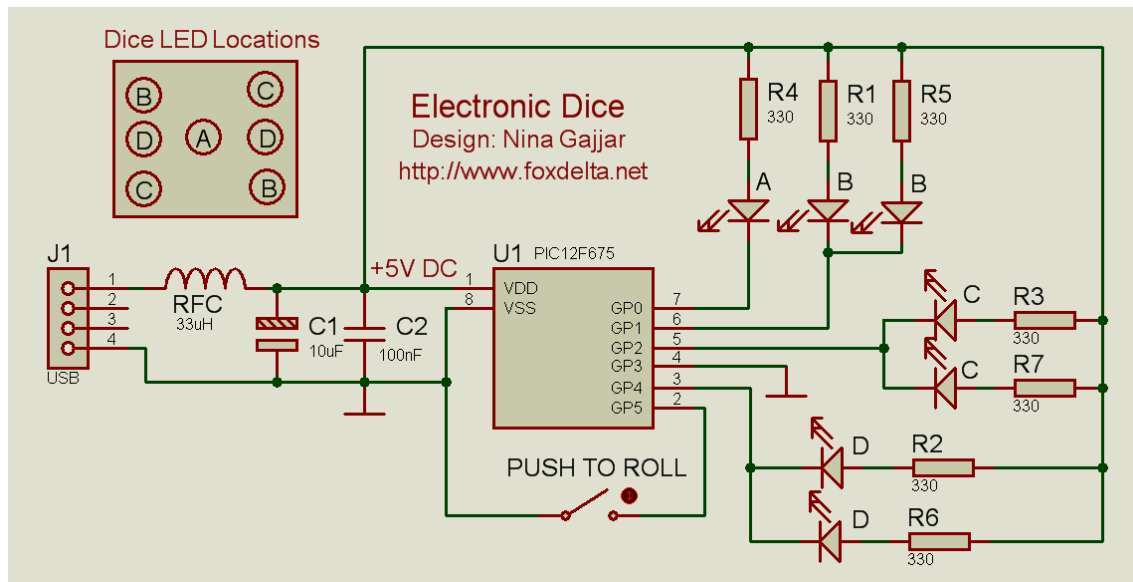


I built this small Dice because we had a spare corner of PCB un-used of a larger PCB design. Project originally belong to [Pete Griffiths](#) and I thank his efforts in making such a nice project and make available code for free use.

Purpose of this project was to test my ability to program small Microchip devices (12F Series) and see if this work well. It did!!
Board is powered from an USB port considering all young and old have a PC anyway!!

Have fun!

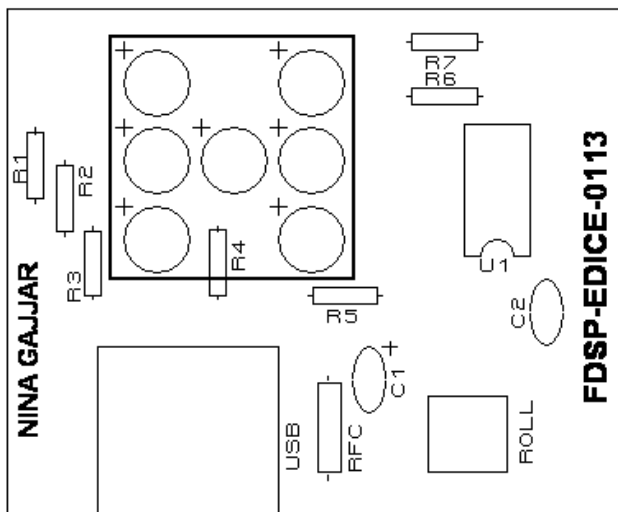
Electronic Dice Schematic:



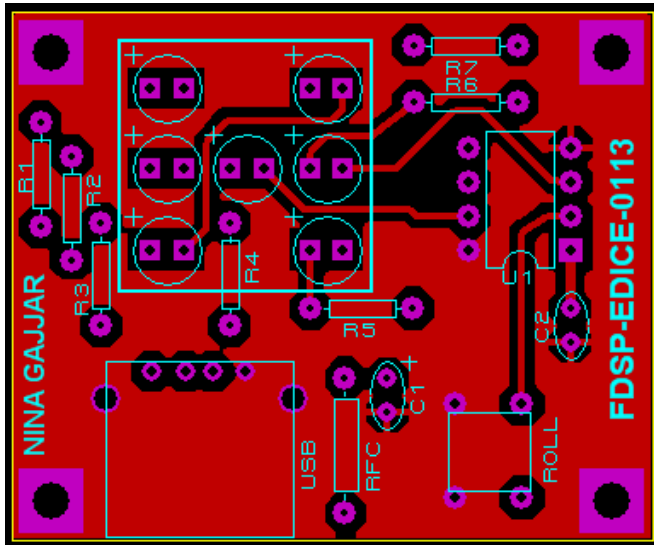
Electronic Dice Parts List

Qty	Check	ID	Part Detail
1		U1	PIC12F675
1		IC Socket	8PIN
7		R1 – R7	330 ohms 1/4W Resistors
1		C1	10uF Tantalum Capacitor
1		C2	0.1uF Ceramic Capacitor
1		USB	USB Type A Connector
7		LED	3MM LEDs
1		Roll	4mm Push Button
1		PCB	FDSP-EDICE-0113 DSPTH PCB

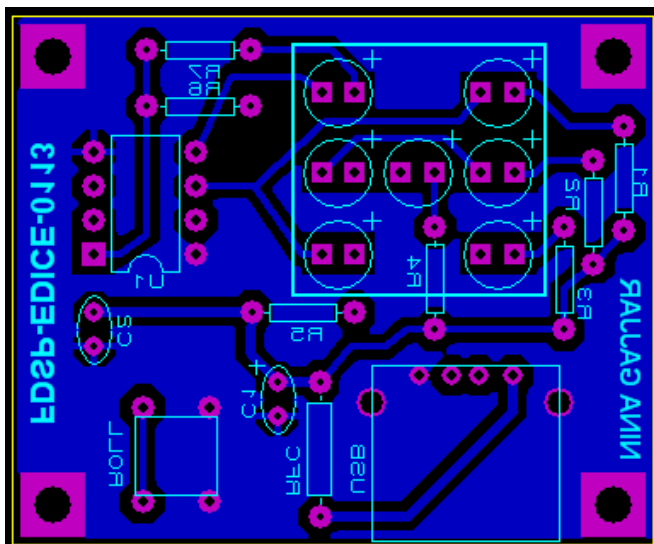
Electronic Dice PCB TOP+SILK:



Electronic Dice TOP View:



Electronic Dice Bottom Side of PCB - Mirror:



Nina Gajjar. 4th February 2013

For more information, please visit: <http://www.foxdelta.net>