



# Fox Delta

Hobby Projects by Nina Gajjar

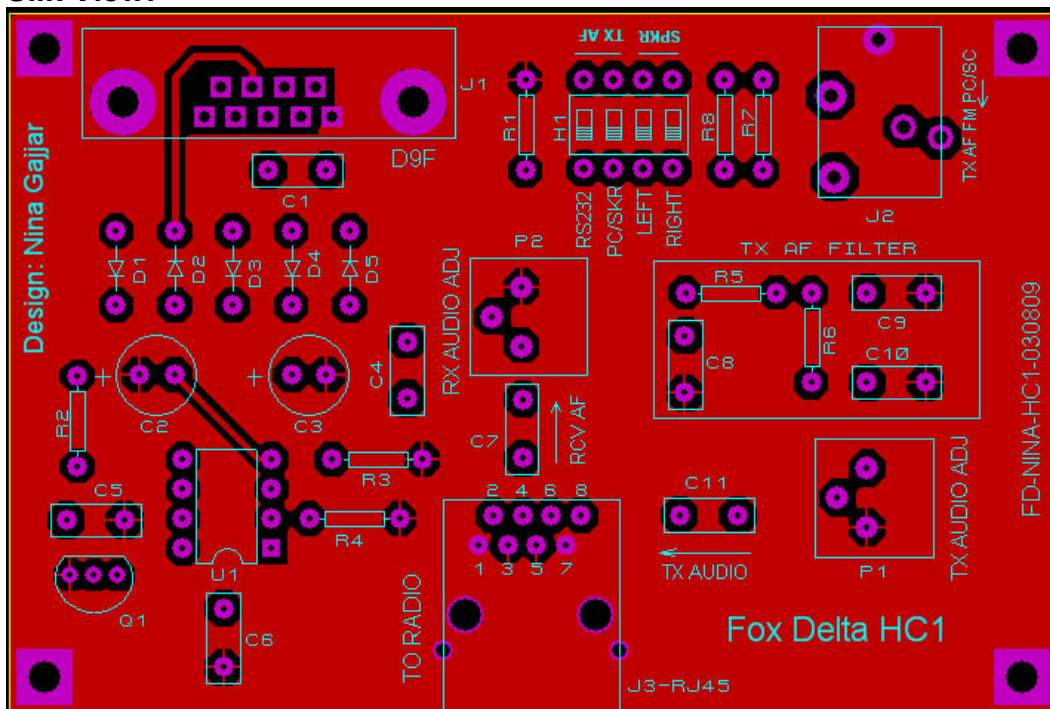
HAMCOM

## Technical Details & Assembly Note: Hamcom Interface for your PC

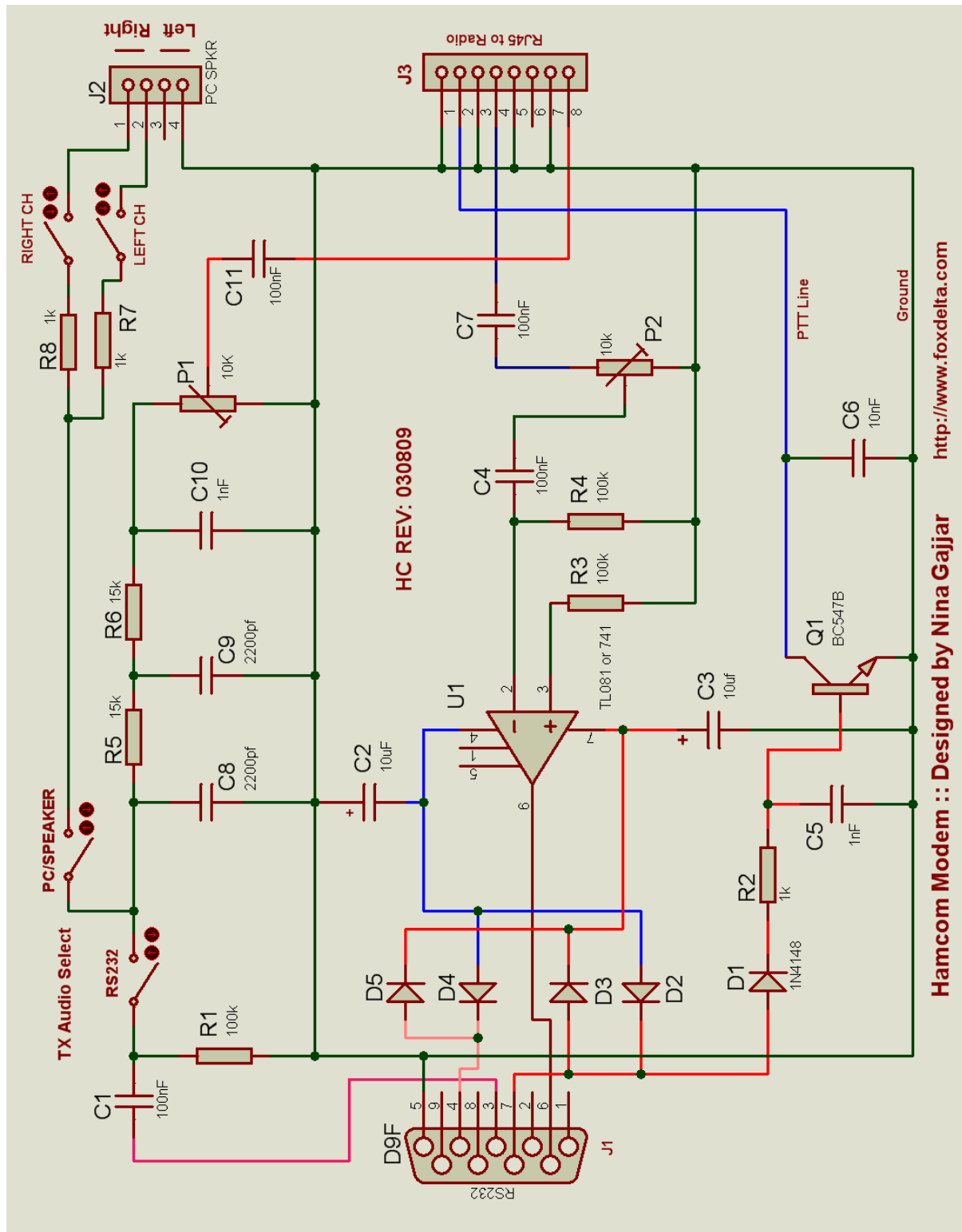
### Hamcom (Rev: 030809) Interface Schematic :

Check	U1	TL081
	Radio Connector	RJ45 PCB Mounted J3
	PC Audio	3.5mm Stereo J2
	D9F	RS232 from PC Com Port. J1
	Q1	BC547
	P1, 2	10K Presets Bourns
	R1, 3, 4	100k
	R2, 7, 8	1K
	R5, 6	15K
	C2, 3	10uf Electro
	C6	0.01uf Ploy
	C8, 9	2200pf Poly
	C5, 10	1000pf Poly
	C1, 4, 7, 11,	0.1uf Poly
	D1, 2, 3, 4, 5,	1N4148
	IC Socket 8 DIP	For TL081
	H1	4 Position DIP Switch

### Silk View:



# HC Schematic:



Nina Gajjar. 3<sup>rd</sup> August 2009

For more information, please visit: <http://nina.foxdelta.com>