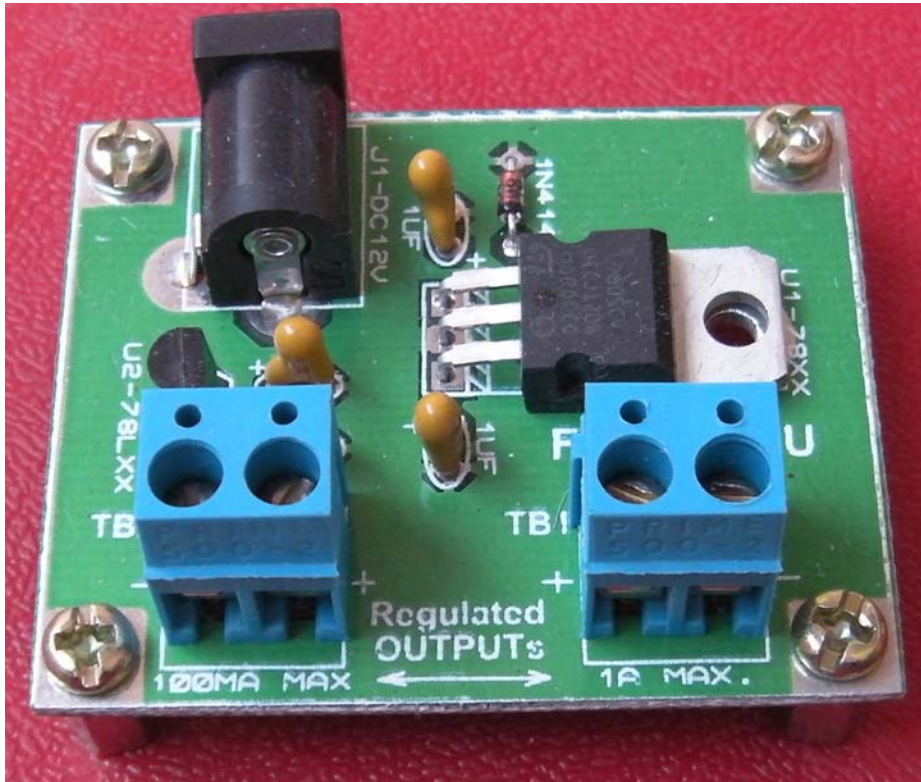


Schematic, Silk View & Parts List: Simple Dual Regulated Power Supply

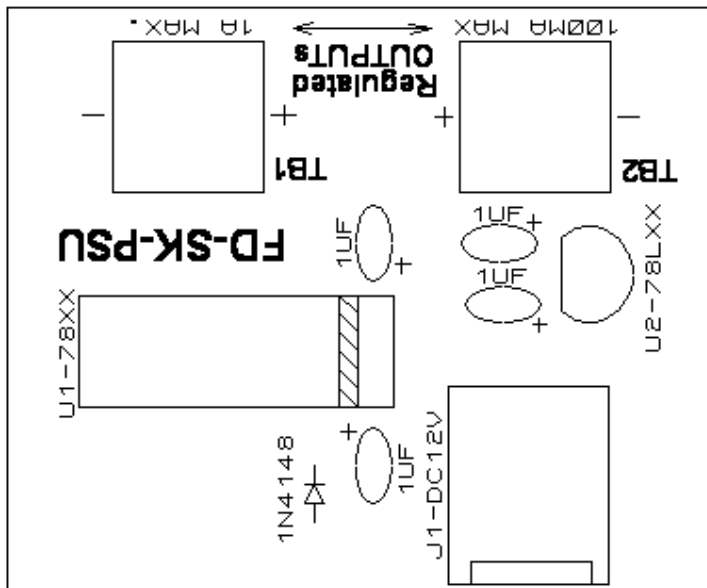
Completed Regulated Power Supply:



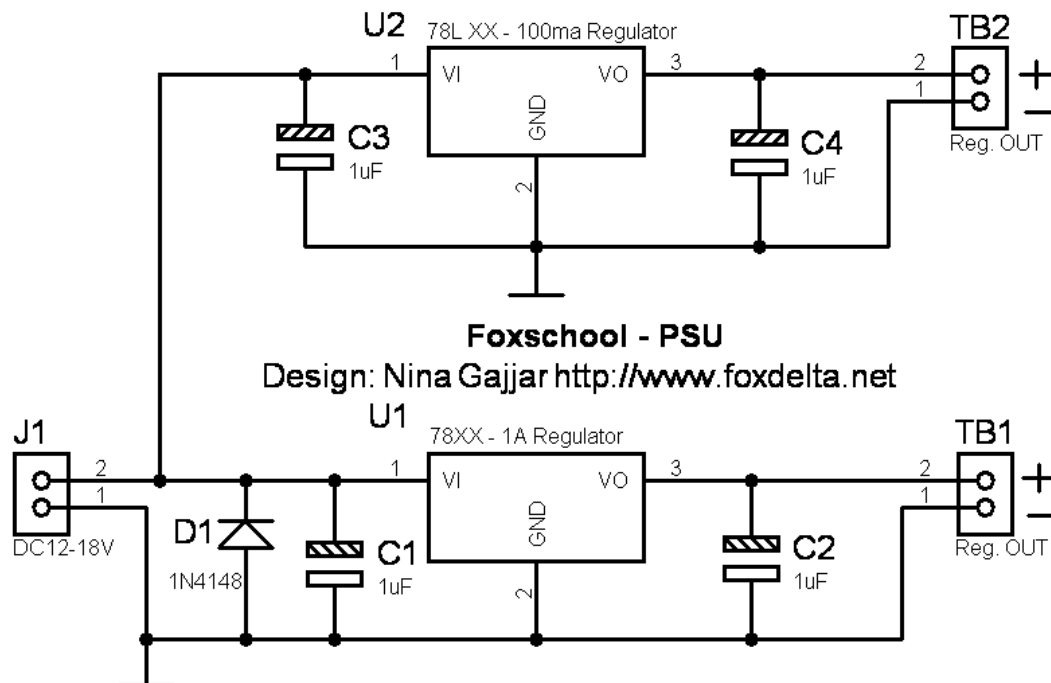
Regulated Power Supply Kit Parts List

Qty	Check	ID	Part Detail
1		U1	7805 TO220
1		U2	78L05 TO92
1		J1	DC Connector PCB
2		TB1, TB2	Terminal Blocks
1		PCB	FD-SK-PSU DSPTH PCB
1		D1	1N4148 Diode
4		Capacitors	1uF Tantalum 35V Capacitors
1set		Spacers	4X Spacers and 4X bolts

Regulated Power Supply SILK:



Regulated Power Supply Schematic:



Nina Gajjar. 14th Nov. 2012

For more information, please visit: <http://www.foxdelta.net>