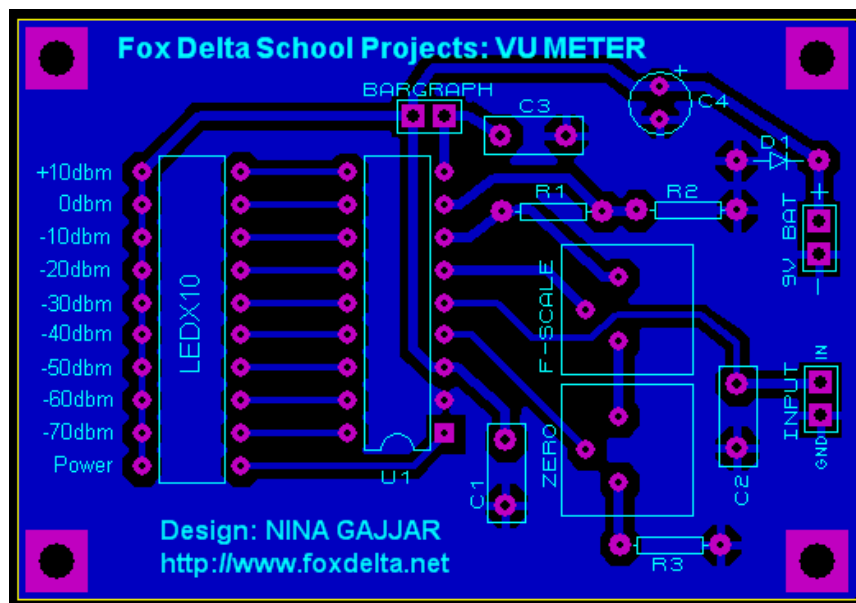


VU Meter Schematic and Tech Info Doc: Simple VU Meter using LM3914

Completed VU-Meter:



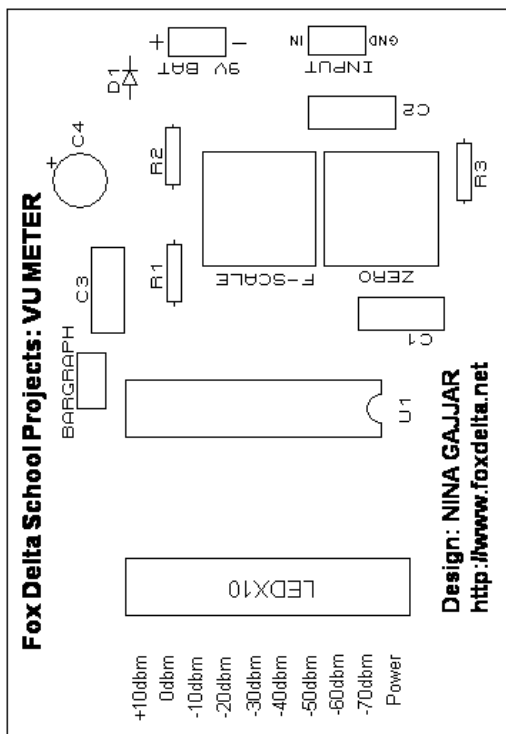
VU Meter PCB TOP SIDE View with Silk:



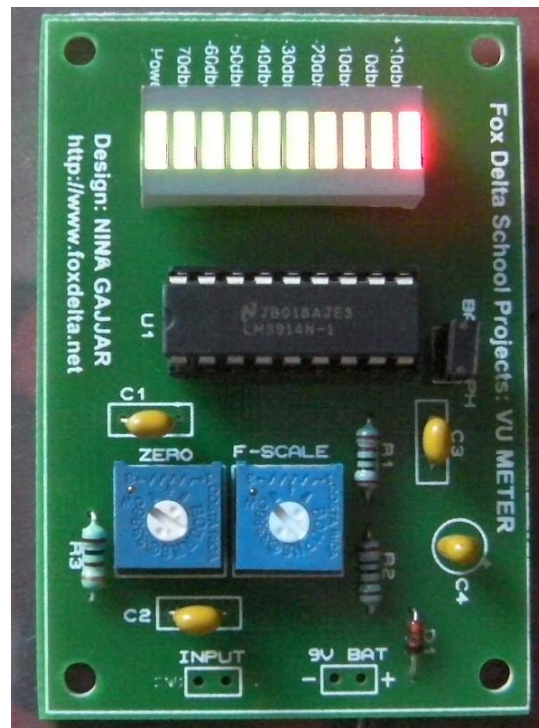
VU Meter Kit Parts List

Qty	Check	ID	Part Detail
1		U1	LM3914 DIP18
1		IC Socket	18PIN
1		TM1	9V Battery Clip
1		LEDs	10XLED (Multi-Color)
1		PCB	FD-VU meter Single Sided PCB
1		D1	1N4148 Diode
1		C4	100uF Electro
1set		PCB Spacers	4X Spacers and 4X bolts
2		C1, C3	0.1uf Capacitors
1		C2	0.001uF Capacitor
1		Preset	10K (Full Scale adjust)
1		Preset	500 Ohms (Zero Set)
2		R1, R2	1.8K 1/4W Resistors

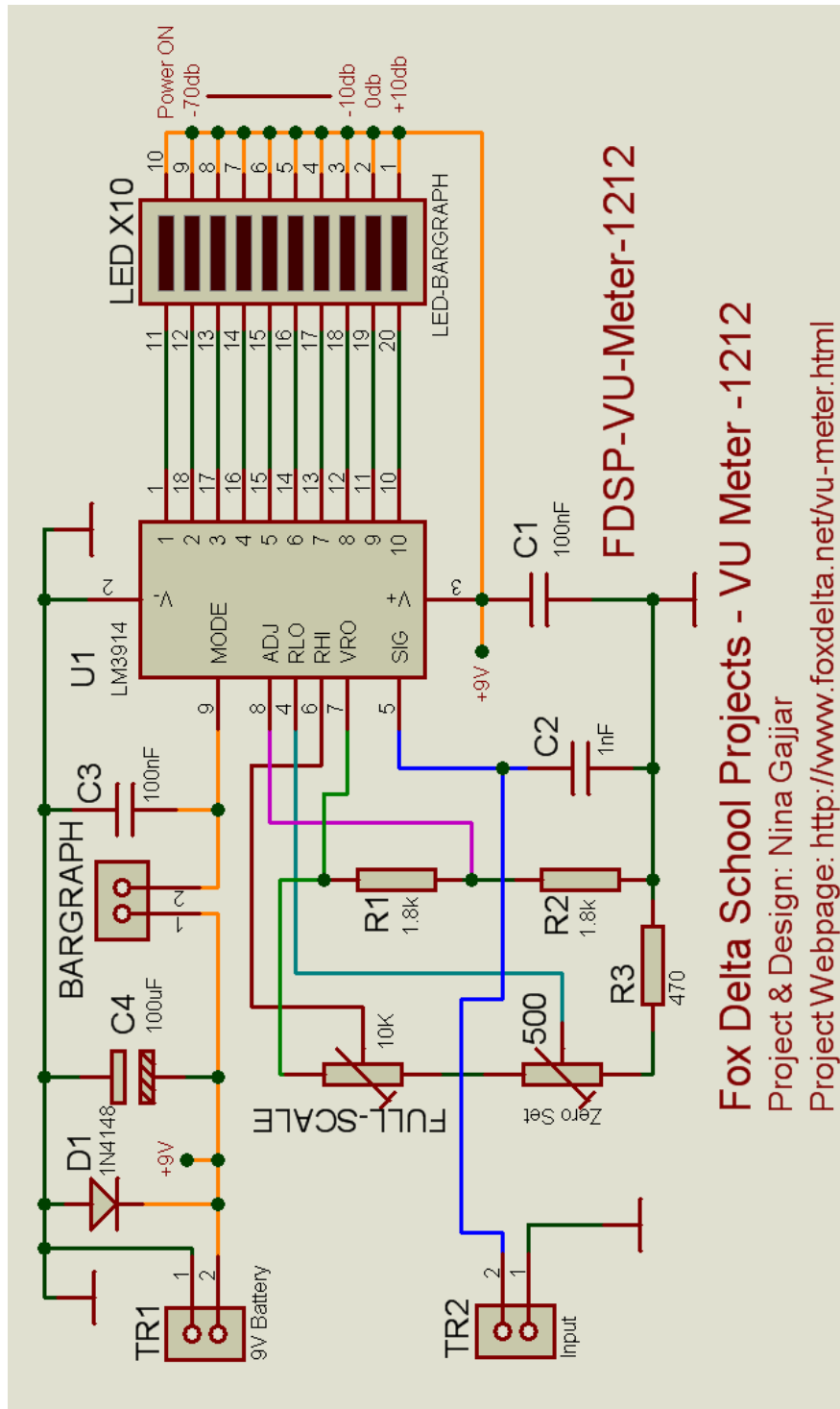
VU METER PCB SILK:



A Working VU Meter:



VU Meter Rev1212 Schematic:



Nina Gajjar. 9th Nov. 2012

For more information, please visit: <http://www.foxdelta.net>